



MARQUE: INSTAAL

REFERENCE: INSTRI 150

CODIC: 4093623

INSTAAL
ACCESSORIES & CO

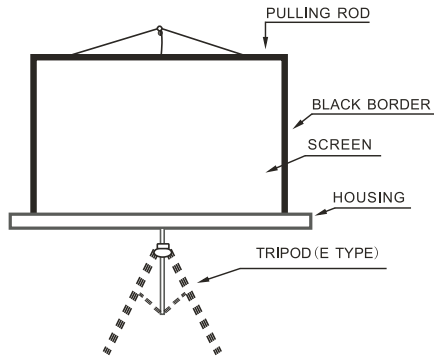
OPERATION MANUAL

TRIPOD SCREEN

Thank you for choosing our projection screen.
Please read the manual carefully before using.

TRIPOD SCREEN

1 STRUCTURE



2 INSTALLING

Choose a suitable place for installing, open the tripod feet first, pull out the upper bar to a suitable height and lock it, hang the pulling rod above to the goose neck and adjust the screen height, then finally fix/lock it at a satisfied position which you want. After using, release the screen and put it back to the housing.

3 USEFUL INSTRUCTIONS

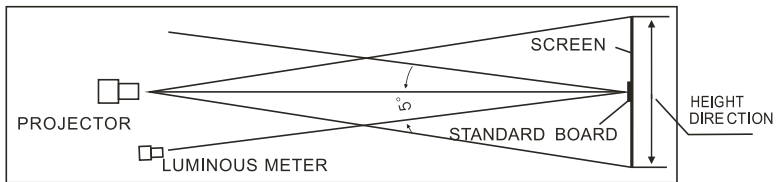
- The tripod legs should be placed steady.
- When adjusting the height of screen should be move the upper bar slowly and carefully.

4.WARNINGS

- The screen can not be folded. Do not use fingers or hard objects to touch the screen surface. Do not splash the milk, fruit juice or other chemical doses to the screen surface. Keep the screen far away from the high temperature objects or fire.
- If the screen is dirty wash the screen gently by a broom or a cotton ball, do not use the organic solvents to clean the screen surface.
- When pulling the screen down, must be slowly and vertical. Do not pull it roughly. Please stop pulling as soon as the black border is out or the screen is jammed or injured, then send the screen to the maintenance center.
- After using, put the screen back to the housing in order to avoid being polluted. If not using it for a long time, please take the screen from the wall and pack it in a carton.

TECHNICAL DATA

- a. Matte White Screen
Gain: 1.1
Viewing Angle: 160°
High color rendering, high resolution.
- b. Glass Beaded Screen
Gain: 2.5
Viewing Angle: 60°
High color rendering, high resolution.
- c. High quality synchronous or tubular motor is equipped in the left end of the screen housing.
- d. Gain Measurement: refer the fig below
Standard: JB/T8389 issued by Ministry of Machinery Industry



- e. Viewing Angle Measurement: refer the fig below
Standard: JB/T8389 issued by Ministry of Machinery Industry

